

Angular Contact Ball Bearings

Bearing No. : **NACHI 7226DF**

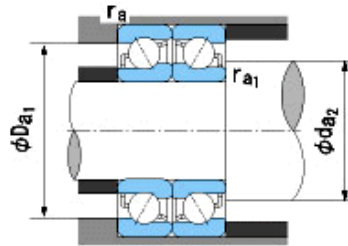
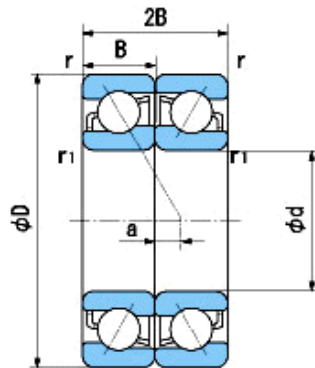
■ Bearing Type

■ Clearance

■ Tolerance Class

Dimensions

d = 130⁰_{-0.025}
 D = 230⁰_{-0.030}
 B = 40⁰_{0.000}
 r = 3~5
 (Radial Direction)
 r = 3~8
 (Axial Direction)
 r1 = 1.1~2.5
 (Radial Direction)
 r1 = 1.1~4
 (Axial Direction)
 a = 32



Dimensions

da1(min) = 144
 da2(min) = 137
 Da1(max) = 216
 Da2(max) = 223
 ra(max) = 2.5
 ra1(max) = 1
 Mass = 13.76 kg

Basic Dynamic Load Rating Cr : **320,000** N

Basic Static Load Rating Cor : **395,000** N

Limiting Speed ;

Grease Lubrication : **1,900** min⁻¹

Oil Lubrication : **2,500** min⁻¹

| | INNER RING | OUTER RING |
|--------------------------------|--------------|--------------|
| O.D.Surface Runout with Side : | | - |
| Axial Runout with Bore : | - | - |
| Axial Runout with Raceway : | - | - |
| Width Variation : | 0.030 | 0.030 |
| Radial Runout : | 0.030 | 0.050 |